

The background of the advertisement shows two women standing in an elevator. The woman on the left is wearing a white long-sleeved top and a pink skirt, with a tan bag slung over her shoulder. The woman on the right is wearing a mustard-colored top and is holding a large roll of grey carpet. They are both smiling and looking at each other. The elevator walls are light-colored with vertical panels, and a large window in the background shows a blue, hazy landscape.

UPGRADE YOUR BUILDING WITH A MODERN, CONNECTED ELEVATOR

THE TOP-TO-BOTTOM RENEWAL FOR YOUR ELEVATOR

Even with proper maintenance, all elevators need to be upgraded. After 10 years, parts will need replacing and you'll probably find that repair bills start to rise.

Finding spares can also become a problem. After 25 years of service or more, you can find yourself facing issues with safety and reliability.

As well as consuming more power than modern elevators, older elevators also contain outdated technology. The hoisting machine in particular will probably have poor energy efficiency and might be the cause of frequent breakdowns. All of this can have an impact on the value of your building. After 25 years and 10,000 kilometers*, is it time to think about giving your elevator a new lease on life?

Cut costs and reduce hassle while improving reliability and safety

KONE ReGenerate™ DX is a comprehensive controller and hoisting solution that can save you a considerable amount of money and hassle over your elevator's lifetime. The upgrade is based on KONE EcoDisc™ hoisting technology, which can significantly cut your elevator's operating costs and also improve its reliability.

KONE ReGenerate™ DX also improves the safety and accessibility of your elevator. After the upgrade, accurate leveling with landing floors will reduce the risk of people tripping on the elevator sill, while new safety devices monitor uncontrolled car movement and prevent overspeed when the car is ascending.

Key benefits

- Improves elevator energy efficiency, reliability, and safety
- Improves accessibility with accurate leveling
- New safety devices monitor uncontrolled car movement and prevent overspeed
- Minimizes elevator downtime with quick installation
- Complies with all relevant safety and accessibility standards

* Traction elevator, based on residential building usage of 25 years, 54,750 starts/year, 8 meters travel/start.

Looking for a safer elevator with better performance?

We offer solutions for offices, hotels, and retail premises that involve the complete replacement of your elevator's electrification and hoisting systems. The new machine is equipped with a silent brake that minimizes the noise disturbance. For extra peace of mind, you can also add a two-way KONE Remote Monitoring communication system that passengers can use to contact the local KONE Customer Care Center in case of emergencies.

Robust, reliable components and faster fault diagnosis

KONE ReGenerate™ DX components are designed to be robust and reliable. The fully encapsulated circuit boards keep out dust and foreign objects and reduce the risk of electrostatic discharge. The upgrade also includes a modern safety system that automatically identifies faults at the switch level and shows them on a graphical display that technicians can use to quickly diagnose problems.

Lower power consumption means lower operating costs

Our gearless and oil-free KONE EcoDisc™ hoisting machines cut the energy consumption of your elevator by using a low starting current to ensure high electrical efficiency. For traction elevators, our Variable Voltage, Variable Frequency (V3F) drive control significantly reduces energy consumption. You can save even more power with our advanced standby features that power down certain functions when the elevator isn't being used. Further energy saving savings can be achieved with the optional regenerative drive module.

KEY SPECIFICATIONS



API ready



Connected



Max. load capacity



Max. speed



Max. travel



Max. floors



Max. persons



Max. group size

KONE ReGenerate™ 400 DX
Flexible modernization solution for mid-rise buildings

✓

✓

1,350 kg

2.5 m/s

130 m

63

18

8

KONE ReGenerate™ 800 DX
Tailored modernization solution for high-rise buildings with demanding people-flow requirements

✓

✓

3,550 kg

6.0 m/s

250 m

63

53

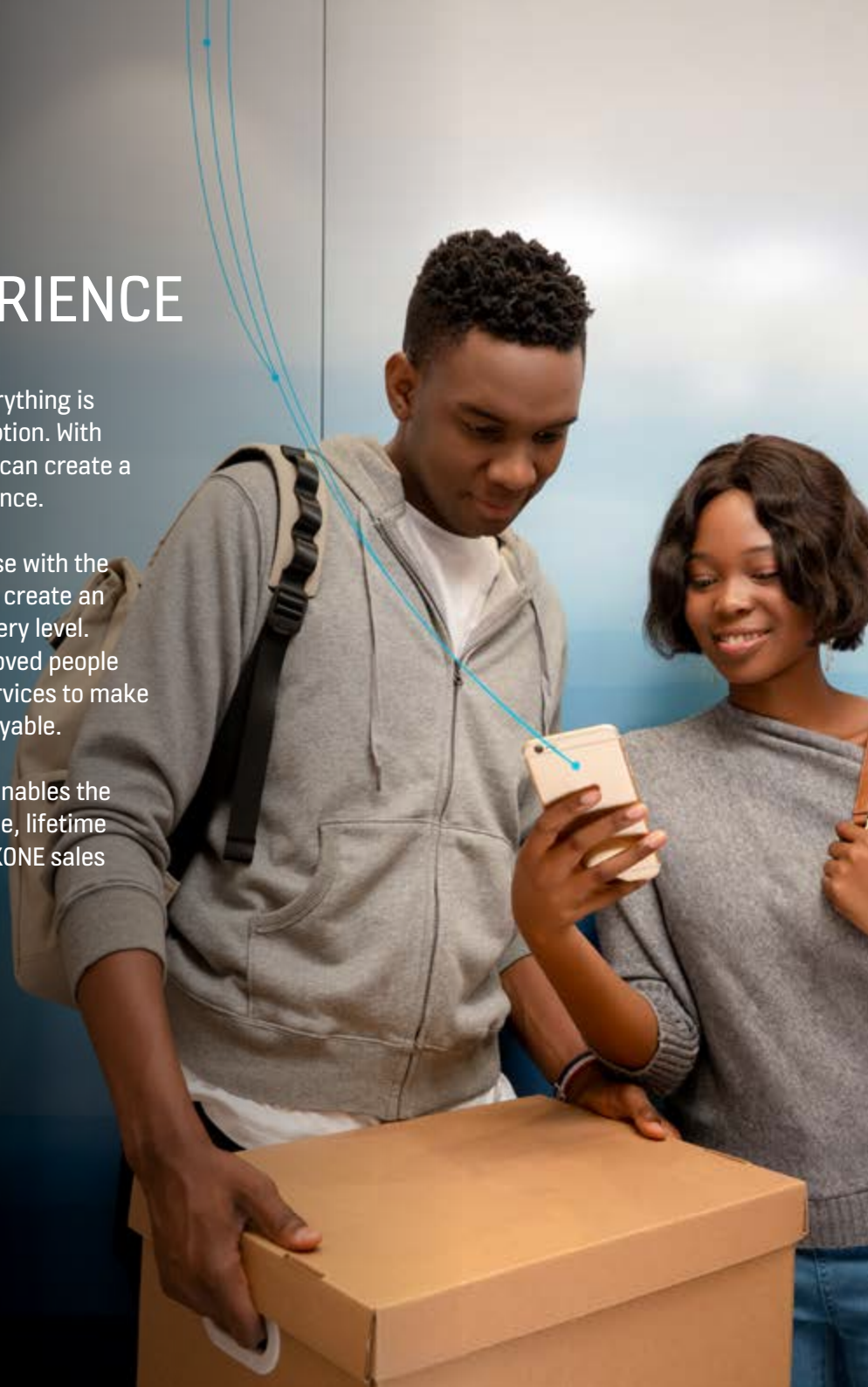
8

A NEW ERA OF ELEVATOR EXPERIENCE

In an increasingly digitalized world, everything is connected – and elevators are no exception. With the KONE ReGenerate™ DX solution you can create a completely new kind of elevator experience.

DX stands for digital experience, because with the KONE ReGenerate™ DX solution you can create an experience that really connects – on every level. Connectivity lets you benefit from improved people flow plus a variety of innovative new services to make everyday life even easier and more enjoyable.

It's an easily upgradable solution, that enables the building to evolve and increases its value, lifetime and attractiveness. Contact your local KONE sales representative to find out more.



1

Get connected for smooth people flow

With connectivity and KONE application programming interfaces (APIs) you can make your elevator smarter and more desirable with new people flow solutions and value-adding services from KONE and our partners. By upgrading an existing elevator you can both optimize people flow and operational efficiency and make sure your property is ready to take advantage of future smart-building technologies.

2

Redefine the user experience

With real-time information for passengers, an engaging multisensory user experience, and other smart building applications, you can redefine elevator rides in your building and improve everyday convenience with enhanced accessibility and equipment availability.

3

Plan for success with KONE as your partner

As your experienced partner for smarter buildings, we can help you manage your property more efficiently with valuable insights into end-user behavior that can be used to continuously optimize people flow and improve the user experience.

Easy to upgrade

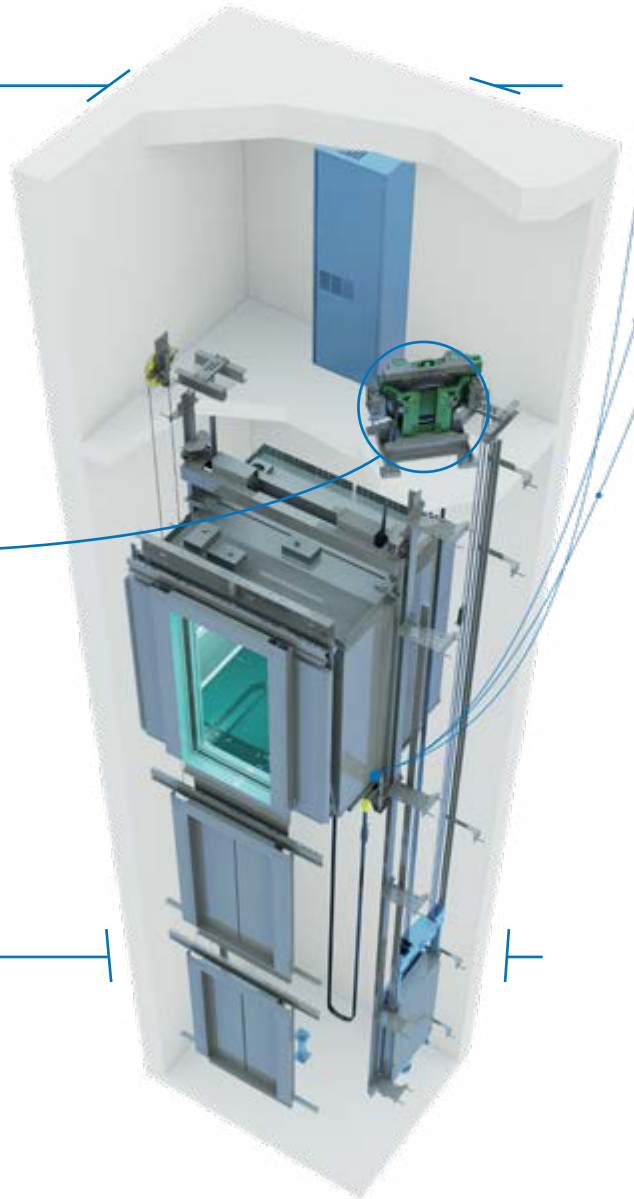
Connectivity gives you the possibility to upgrade in the future as your needs change by adding new connected services and features whenever you need them.

Best-in-class eco-efficiency

Save energy and cut your building's carbon footprint with our eco-efficient hoisting, lighting, and standby solutions.

Upgrade performance and reliability

By refreshing your elevator's mechanical and electrical components you can significantly improve its performance and reliability.



FUTURE-PROOF YOUR BUILDING WITH CONNECTIVITY

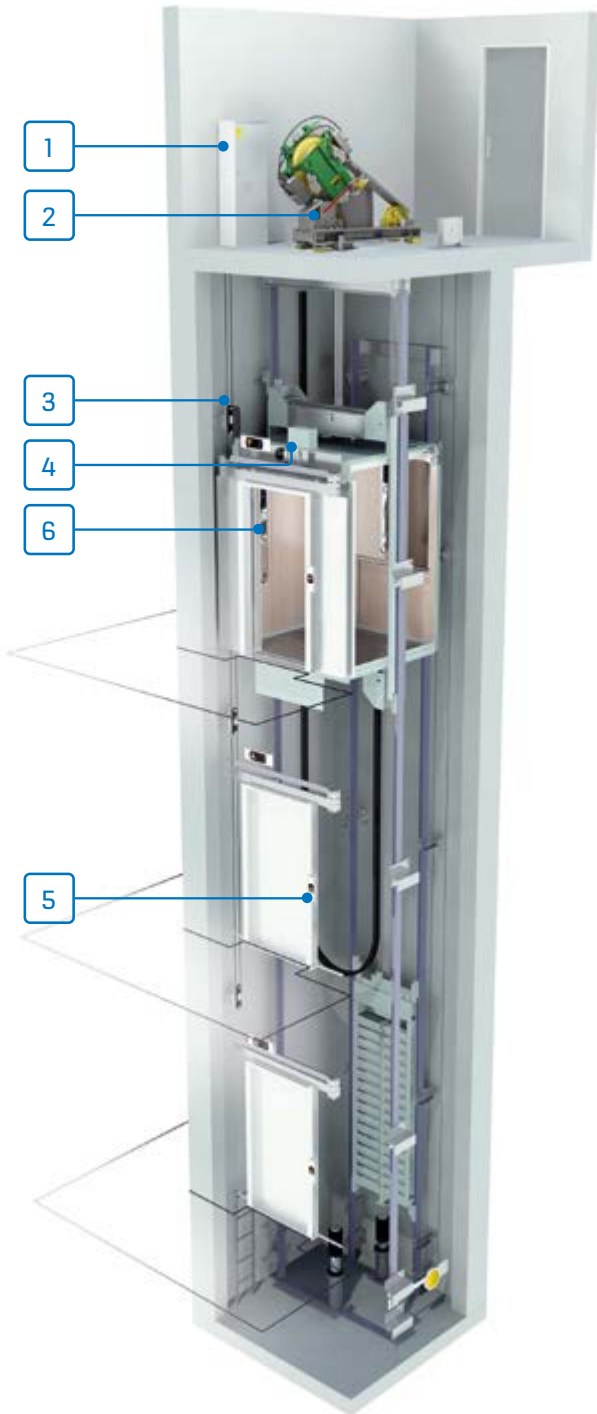
We have added connectivity to make the KONE ReGenerate™ DX solution smarter to optimize people flow and enable increased operational efficiency.

Connected people flow means your elevator solution never stands still, it's easy to upgrade – evolving with your building, adding value, and increasing the attractiveness of the property to prospective tenants.

Keep your building secure 24/7

All our smart building solutions and services are designed with cyber security and privacy at their core. We monitor your connected elevator around the clock to keep your building data secure.





KONE REGENERATE™ DX INCLUDES:

- 1 KONE ReGenerate™ DX controller cabinet
- 2 New hoisting machinery
- 3 Positioning system
- 4 Door operator interface
- 5 Signalization
- 6 KONE Remote Monitoring (optional)

PLAN FOR SUCCESS WITH KONE AS YOUR PARTNER

Continuously optimize people flow and improve the user experience in your building with the assistance of an experienced partner. We can help you make your building smarter and more efficient with valuable insights based on a holistic view of end-user behavior and people flow.

We work with an ecosystem of partners to provide new services and solutions, and through our People Flow Planning and Consulting service we can ensure that everyone is able to move smoothly and safely around your building. We can also help you make better investment planning decisions based on solid data, and provide sustainable technologies, materials, and services that contribute to credits and certifications for green-building accreditation schemes.

UPGRADE WITHOUT THE HASSLE

On time and on budget, with no surprises and no unexpected costs – that's our promise. We take care of everything, from planning the project to updating your elevator. We'll also provide technical and safety information and training when we hand it over to you, as well as provide support with any third-party inspections required. We can also make sure your elevator operates reliably and safely for its entire lifespan with a customized KONE Care™ preventive maintenance package.

FOUR EASY STEPS TO AN UPGRADED ELEVATOR



1 Fact-finding

- We'll carry out a detailed site survey to learn more about what kinds of upgrades would be best for your elevator and building.
- As part of this process we'll talk to the key stakeholders to find out what they want to get out of the project.



2 Recommendation and estimate

- You'll get a clear recommendation about what to upgrade based on your needs and our expert opinion.
- We'll provide a detailed schedule and cost breakdown so you know what to budget and how long the project will take.



3 Execution

- Once the project is under way a KONE project manager will be responsible for quality checks and supervision throughout the process.
- We'll keep everyone fully informed about the schedule and progress of the work via KONE InfoMod information boards in the lobby.



4 Ongoing maintenance and care

- We can create a tailored KONE Care™ maintenance plan for your equipment to keep it running safely and smoothly.
- With KONE 24/7 Connected Services we can monitor your equipment around the clock and take proactive action to prevent potential problems from causing a breakdown.

KONE provides innovative and eco-efficient solutions for elevators, escalators, automatic building doors and the systems that integrate them with today's intelligent buildings.

We support our customers every step of the way; from design, manufacturing and installation to maintenance and modernization. KONE is a global leader in helping our customers manage the smooth flow of people and goods throughout their buildings.

Our commitment to customers is present in all KONE solutions. This makes us a reliable partner throughout the life cycle of the building. We challenge the conventional wisdom of the industry. We are fast, flexible, and we have a well-deserved reputation as a technology leader, with such innovations as KONE MonoSpace® DX, KONE NanoSpace™ and KONE UltraRope®.

KONE employs close to 57,000 dedicated experts to serve you globally and locally.

UAE

Dubai (regional Office)

KONE Middle East LLC
U-Bora Tower,
C/O Al Abraj Str & Al Khaleej Str,
Business Bay.
P.O. Box 21474
Tel: +971 4 279 4500
www.kone.ae

Kingdom of Saudi Arabia

Riyadh (Head Office)

KONE Areeco Ltd
King Fahad Road,
Olaya District,
Al Hamad Tower, Floor 8.
Tel: +966 9200 17055
www.kone.sa

Egypt

KONE LLC
Plot no.10 B, Mohamed Naguib Axis,
Fifth Settlement,
O1 Mall, KONE 2nd Floor, New Cairo.
Tel: +20 232 44 300
www.kone.eg

Morocco

KONE Elevators and Escalators
SARLAU
Lot Marjana N6,
Sidi Maarouf, Casablanca.
P.O Box 20280
Tel: 0522 58 02 11
www.kone.ma

Qatar

KONE Elevators LLC
Ghanem Office Tower,
Building No. 54, Street No. 640,
Zone 23, Salwa Road,
Bin Mahmoud Area, Doha.
P.O. Box 37143
Tel: +974 4488 8835
www.kone.qa

Oman

KONE Assarain LLC
Hatat House B, Office 103, 1st Floor,
Wadi Adai, Ruwi 112, Muscat.
P.O. Box 1475
Tel: +968 246 570 00
www.kone.om

Bahrain

KONE Bahrain SPC
Building 767, Office number 61,
Road number: 3629,
Block number: 336,
Adliya, Kingdom of Bahrain.
P.O. Box 21303
Tel: +973 1774 9271
www.kone.bh

Kuwait

Laila Tower, 14th floor, office 3,
Salmiya, Kuwait.
P.O. Box 21119 - Safat 13072
www.kone.com.kw

Tunisia

Ensemble Mobilier Miniar,
Rue du Lac d'Ourmia,
1053 Les Berges du Lac,
Tunis, Tunisie.
www.kone.tn

East Africa (Kenya and Uganda)

KONE NAIROBI (Head Office)
Crowne Plaza Annexe, 13th Floor,
Along Kenya Road, Nairobi, Kenya.
P.O. Box 35174-00100
www.kone.co.ke
www.kone.ug

South Africa

KONE Elevators South Africa (Pty) Ltd,
20 Friesland Drive, Longmeadow,
Business Estate (South),
Edenvale 1610, Johannesburg.
Tel: +27 11 035 1800
www.kone.co.za

Türkiye

İçerenköy Mah. Değirmenyolu Cad.
No:28 Asiaofispark B Blok D:3 Kat:2
34752 Ataşehir/İstanbul.
Tel: 444 56 63
www.kone.com.tr

Kazakhstan

KONE Kazakhstan LLP
D.Konayev Street 12/1,
floor 9, 010017,
Astana, Kazakhstan.
www.kone.kz

This publication is for general informational purposes only and we reserve the right at any time to alter the product design and specifications. No statement this publication contains shall be construed as a warranty or condition, express or implied, as to any product, its fitness for any particular purpose, merchantability, quality or representation of the terms of any purchase agreement. Minor differences between printed and actual colors may exist.

KONE MonoSpace® DX, KONE EcoDisc®, KONE Care® and People Flow® are registered trademarks of KONE Corporation. Copyright © 2022 KONE Corporation.